

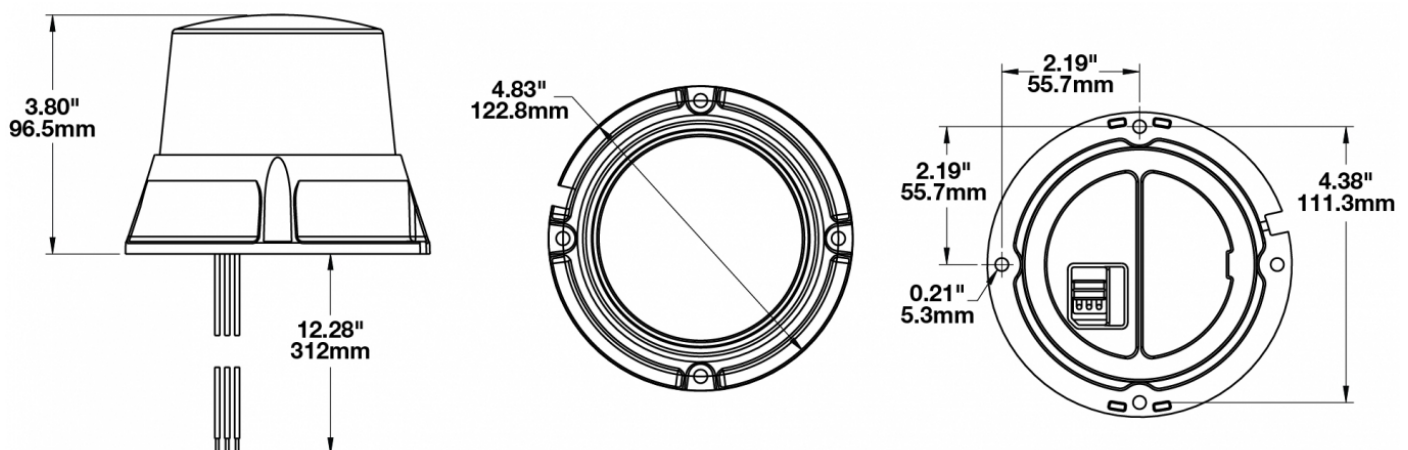
LED Strobe Lights - Model 407

PRODUCT INFORMATION

Description	12-80V LED Amber Class I Strobe Light
Height	96.52 mm / 3.8 in
Width	121.92 mm / 4.8 in
Depth	121.92 mm / 4.8 in
Shape	Round
Outer Lens Material	Polycarbonate
Outer Lens Color	Amber
Housing Material	Die-Cast Aluminum
Housing Color	Black
Mounting Hardware Description	(x4) #8-16 x 3/4' Mounting Screw
Minimum Operating Temperature	-40 °C / -40 °F
Maximum Operating Temperature	60 °C / 140 °F
Connector or Wiring	12" Leads
Product Weight	1.10 lbs / 0.5 kgs
Shipping Weight	1.93 lbs / 0.88 kgs



PRODUCT DIMENSIONS



Print date: 2024-08-11

© 2024 J.W. Speaker Corporation • Germantown, WI U.S.A.
 www.jwspeaker.com • speaker@jwspeaker.com • 262.251.6660

J.W. SPEAKER
 Engineered. Lighting. Solutions.

LED Strobe Lights - Model 407

ELECTRICAL SPECIFICATIONS

Input Voltage	12-80V DC
Operating Voltage	9-110V DC
Red Wire	Positive
Black Wire	Negative
Yellow Wire	Mode
Current Draw	0.915A @ 12V DC 0.500A @ 24V DC 0.340A @ 36V DC 0.265A @ 48V DC 0.190A @ 72V DC

REGULATORY STANDARDS COMPLIANCE



Buy America Standards	ECE Reg 10
ECE Reg 65	Eco Friendly
IEC IP69K	SAE J845
UL Recognized	

PHOTOMETRIC SPECIFICATIONS

Candela Output	560
Beam Pattern(s)	Warning - Rotating Warning Warning - Strobe
Flash Rate 1	Beacon
Flash Rate 2	Quadruple 480
Flash Rate 3	Fast 540
Flash Rate 4	Double 240
Flash Rate 5	Burst 300
Flash Rate 6	Steady Flash 60

Print date: 2024-08-11

© 2024 J.W. Speaker Corporation • Germantown, WI U.S.A.
www.jwspeaker.com • speaker@jwspeaker.com • 262.251.6660

LED Strobe Lights - Model 407

APPLICATIONS



PRODUCT WARNINGS

For California residents:

⚠ **WARNING:** Cancer and reproductive harm - www.P65Warnings.ca.gov.

⚠ **AVERTISSEMENT:** Cancer et effet nocif sur la reproduction - www.P65Warnings.ca.gov.

Print date: 2024-08-11

© 2024 J.W. Speaker Corporation • Germantown, WI U.S.A.
www.jwspeaker.com • speaker@jwspeaker.com • 262.251.6660

J.W. SPEAKER 
Engineered. Lighting. Solutions.

LED Strobe Lights - Model 407

ACCESSORIES



Part Number
0728301

Pipe Mount with Fold-Down Bracket for DIN Pole Mount



Part Number
0728311

Pipe Mount with L Bracket for DIN Pole Mount



Part Number
0728321

Pipe Mount with Straight Bracket for DIN Pole Mount



Part Number
0728331

Pipe Mount with Threaded Pipe Mount for DIN Pole Mount



Part Number
0728341

Pipe Mount with Weld-on Bracket for DIN Pole Mount



Part Number
8200213

DIN Pole Mount for 406 & 407 LED Strobe Lights

RELATED PRODUCTS



Part Number
0646551

12-80V LED Blue Class I Strobe Light



Part Number
0646561

12-80V LED Red Class I Strobe Light



Part Number
0646571

12-80V LED Green Class I Strobe Light



Part Number
0646741

12-80V LED Amber Class I Strobe Light with DIN Pole Mount



Part Number
0646891

12-80V LED Amber Class I Strobe Light with Magnet Mount

Print date: 2024-08-11

© 2024 J.W. Speaker Corporation • Germantown, WI U.S.A.
www.jwspeaker.com • speaker@jwspeaker.com • 262.251.6660